



Tech Master GPS420 Series

4.5 Purity Single Stage Brass Barstock Piston Cylinder Regulator



The Tech Master GPS420 Series single stage piston cylinder regulators are designed for primary pressure gas control of non-corrosive or toxic, technical grade gases up to 4.5 purity (99.995%), on applications where slight pressure variation from decreasing cylinder pressure is acceptable.

- **GPS421** Series | Single Stage Piston Cylinder Regulator, FKM Seal
- **GPS422** Series | Single Stage Piston Cylinder Regulator, EPDM Seal

★ FEATURES

- Five port configuration
- Front & rear panel mounting capabilities
- Encapsulated seat design
- Low wetted surface area
- Full range of inlet and outlet fittings
- Base and side entry

🔧 MATERIAL

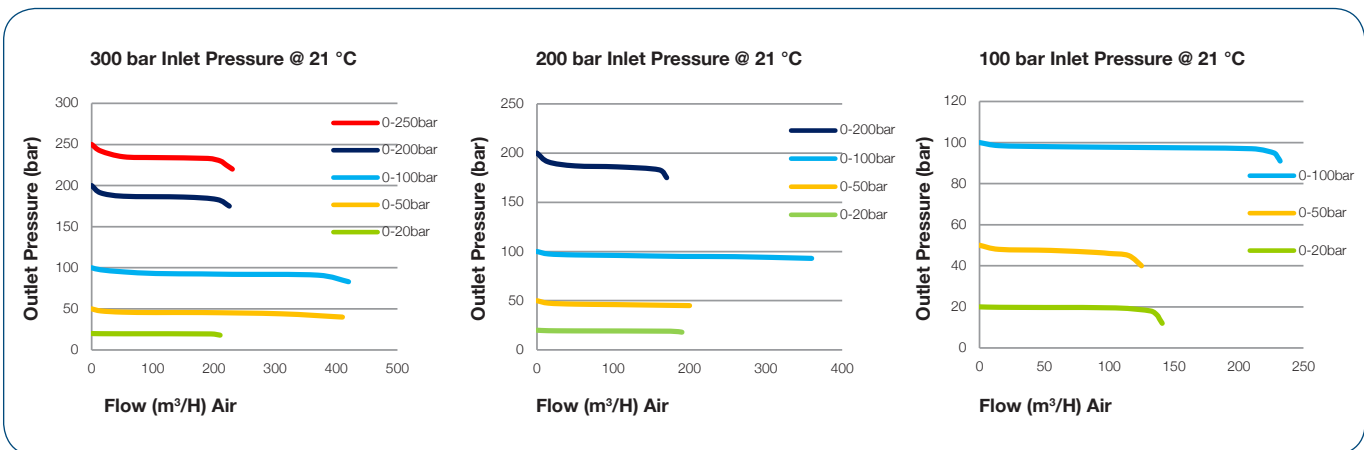
■ Body	Brass Barstock
■ Bonnet	Brass Barstock
■ Piston	Brass
■ Seal	FKM / EPDM
■ Valve Seat	Polyamide (Nylon®)
■ Filter	10 Micron 316L Stainless Steel

👍 SPECIFICATION

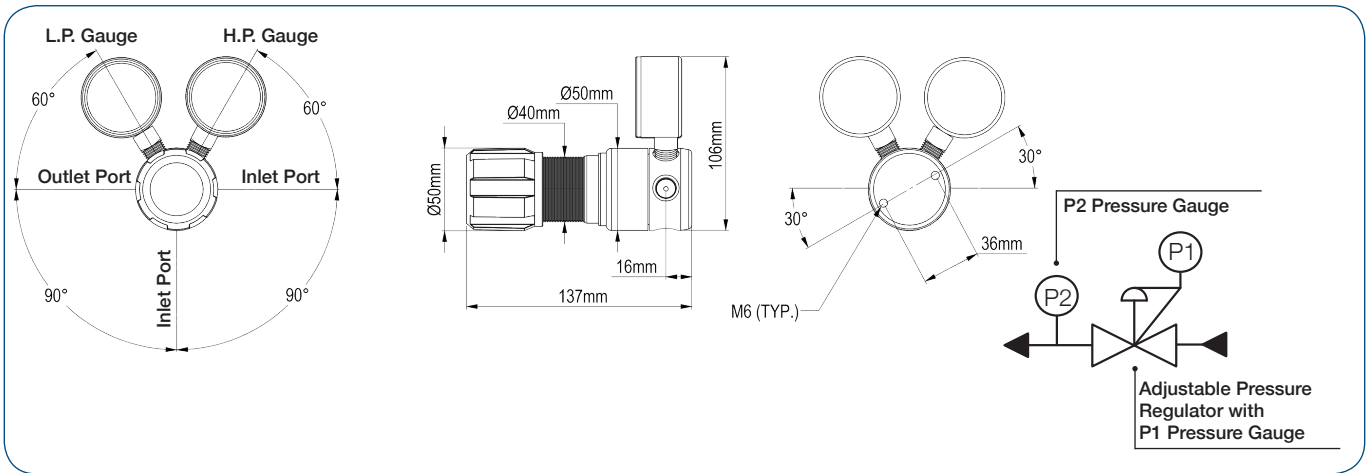
■ Maximum Inlet Pressure	60 bar (870 PSI) 300 bar (4350 PSI)*
■ Delivery Pressure Range	20 bar (300 PSI) 50 bar (725 PSI) 100 Bar (1450 PSI) 200 bar (2900 PSI) 250 bar (3630 PSI)
■ Gauges	50mm (2") Diameter
■ Ports	1/4" NPT Female
■ Temperature Range	-20° C to +60° C (-4° F to +140° F)
■ Flow Coefficient (Cv)	0.1
■ Weight	1.5 kg (3.3 lbs)**

* Subject to cylinder connection – ** Cylinder connection not included

✓ FLOW PERFORMANCE



DRAWINGS



MODEL NO. SELECTOR GUIDE

Example for a Model No. for GPS420 Series

Product Type	Inlet Pressure Bar [PSI]	Outlet Pressure Bar [PSI]	Inlet Pressure Gauge	Outlet Pressure Gauge	Inlet Connection	Outlet Connection	Options
GPS421	02 60 bar [870]	07 0 to 20 [300]	00 No Gauge Fitted	00 No Gauge Fitted	000 No Outlet Fitted (1/4 NPT F)	00 No Outlet Fitted (1/4 NPT F)	A No Options Selected
GPS422	04 300 bar [4350]	10 0 to 50 [725]	01 bar/PSI	01 bar/PSI	001 1/8 Stainless Steel Compression	01 1/8 Stainless Steel Compression	F Bonnet Vent Kit
		11 0 to 100 [1450]	10 Plugged Port	10 Plugged Port	002 1/4 Stainless Steel Compression	02 1/4 Stainless Steel Compression	K Certificate of Conformity (CoC)
		12 0 to 200 [2900]			003 6mm Stainless Steel Compression	03 6mm Stainless Steel Compression	L Panel Mount Locking Nut Kit
		13 0 to 250 [3630]			004 1/4 NPT Male	04 1/4 NPT Male	P Calibration / Pressure Test Certificate
					007 G3/8 BSP R/H Brass Male	05 1/4 SAE Flare Brass Male	X Special Instruction
					008 G3/8 BSP L/H Brass Male	06 G1/2 BSP R/H Brass Male	
					009 BS341 No.3 (Base Entry)	07 G3/8 BSP R/H Brass Male	
					010 BS341 No.3	08 G3/8 BSP L/H Brass Male	
					011 BS341 No.4 (Base Entry)	09 Isolation Valve, 1/4 NPT Female, FKM Seal	
					012 BS341 No.4	10 Isolation Valve, 1/4 NPT Female, EPDM Seal	
					015 BS341 No.8	11 Isolation Valve, 1/8 Stainless Steel Compression, FKM Seal	
					030 DIN477 No.6	12 Isolation Valve, 1/8 Stainless Steel Compression, EPDM Seal	
					033 DIN477 No.9	13 Isolation Valve, 1/4 Stainless Steel Compression, FKM Seal	
					034 DIN477 No.10	14 Isolation Valve, 1/4 Stainless Steel Compression, EPDM Seal	
					045 CGA320	15 Isolation Valve, 6mm Stainless Steel Compression, FKM Seal	
					052 CGA540	16 Isolation Valve, 6mm Stainless Steel Compression, EPDM Seal	
					053 CGA580	17 Isolation Valve, 1/4 NPT Male, FKM Seal	
					For our complete range of cylinder connections refer to 'ICONTGEN-TechMaster Cylinder Connections data sheet'	18 Isolation Valve, 1/4 NPT Male, EPDM Seal	
				19 Isolation Valve, G3/8 BSP R/H Brass Male, FKM Seal			