



Tech Master GPL410 Series

4.5 Purity Single Stage Brass Barstock Diaphragm Line Regulator for Acetylene



The Tech Master GPL410 Series single stage diaphragm line regulators are designed for secondary pressure gas control of technical grade Acetylene gas up to 4.5 purity (99.995%), on gas distribution systems.

■ **GPL410 Series** | Single Stage Diaphragm Line Regulator – Acetylene

★ FEATURES

- Four port configuration
- Rear panel mounting capabilities
- Encapsulated seat design
- Low wetted surface area
- Full range of inlet and outlet fittings

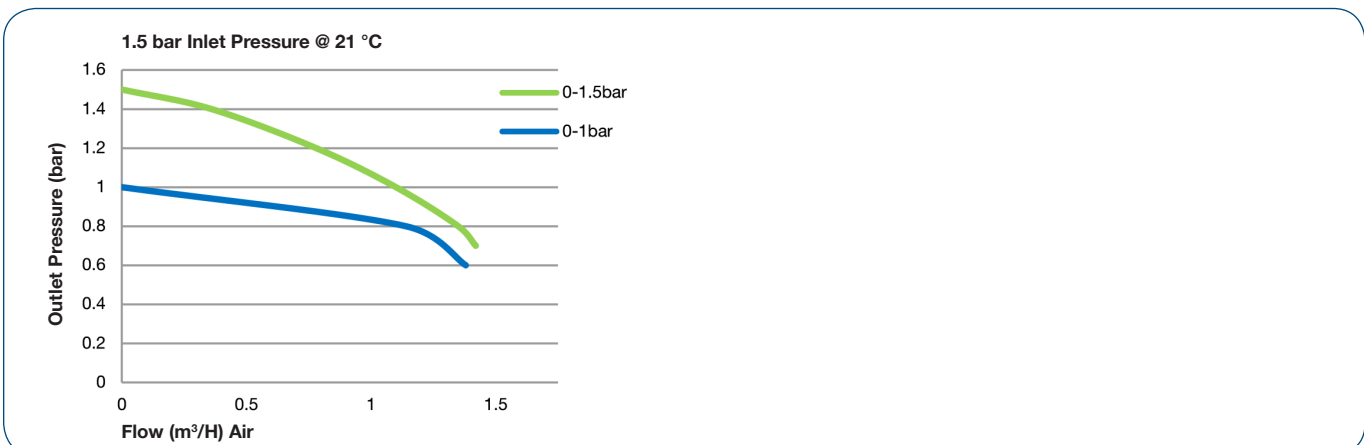
📁 MATERIAL

■ Body	Brass Barstock
■ Bonnet	High Strength Alloy
■ Diaphragm	Polychloroprene (Neoprene®) (CR)
■ Seat	Polyamide (Nylon®)
■ Filter	10 Micron 316L Stainless Steel

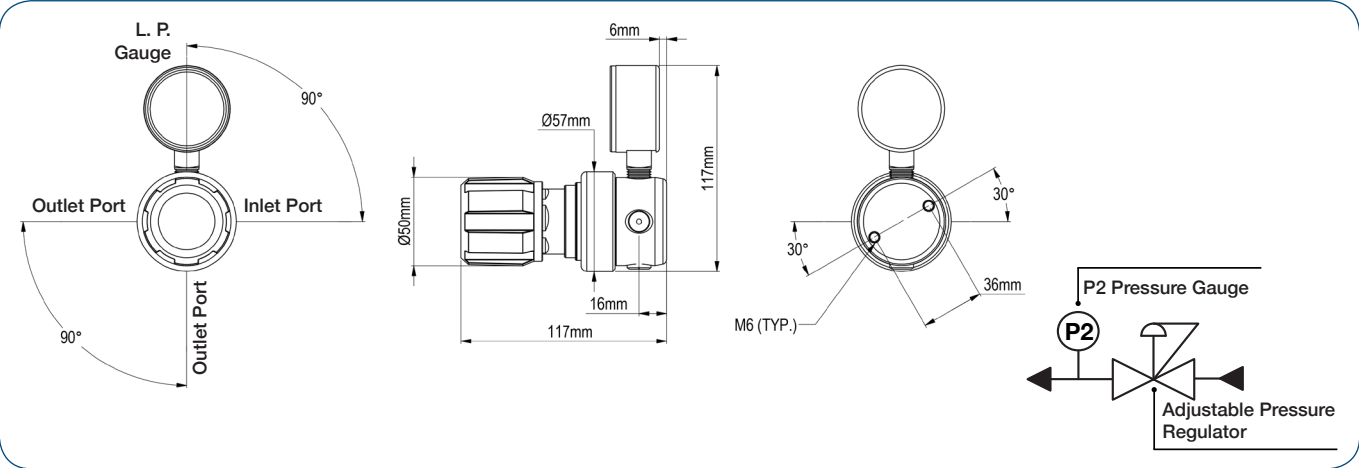
👍 SPECIFICATION

■ Maximum Inlet Pressure	1.5 bar (22 PSI)
■ Delivery Pressure Range	1.0 bar (15 PSI) 1.5 bar (22 PSI)
■ Gauges	50mm (2") Diameter
■ Ports	1/4" NPT Female
■ Temperature Range	-20° C to +60° C (-4° F to +140° F)
■ Flow Coefficient (Cv)	0.1
■ Weight	1.1 kg (2.5 lbs)

✓ FLOW PERFORMANCE



DRAWINGS



MODEL NO. SELECTOR GUIDE

Example for a Model No. for GPL410 Series

Product Type	Inlet Pressure Bar [PSI]	Outlet Pressure Bar [PSI]	Inlet Pressure Gauge	Outlet Pressure Gauge	Inlet Connection	Outlet Connection	Options
GPL410-	01-	02-	00-	00-	001-	01-	A
07	1.5 [22]	01 0 to 1.0 [15]	00 No Gauge Fitted	00 No Gauge Fitted	000 1/4 NPT Female	00 1/4 NPT Female	A No Options Selected
		02 0 to 1.5 [22]		01 bar/PSI	001 1/8 Stainless Steel Compression	01 1/8 Stainless Steel Compression	K Certificate of Conformity (CoC)
				10 Plugged Port	002 1/4 Stainless Steel Compression	02 1/4 Stainless Steel Compression	P Calibration / Pressure Test Certificate
					003 6mm Stainless Steel Compression	03 6mm Stainless Steel Compression	X Special Instruction
					004 1/4 NPT Male	04 1/4 NPT Male	
					008 G3/8 BSP L/H Brass Male	08 G3/8 BSP L/H Brass Male	
						10 Isolation Valve, 1/4 NPT Female, EPDM Seal	
						12 Isolation Valve, 1/8 Stainless Steel Compression, EPDM Seal	
						14 Isolation Valve, 1/4 Stainless Steel Compression, EPDM Seal	
						16 Isolation Valve, 6mm Stainless Steel Compression, EPDM Seal	
						18 Isolation Valve, 1/4 NPT Male, EPDM Seal	
						22 Isolation Valve, G3/8 BSP R/H Brass Male, EPDM Seal	